

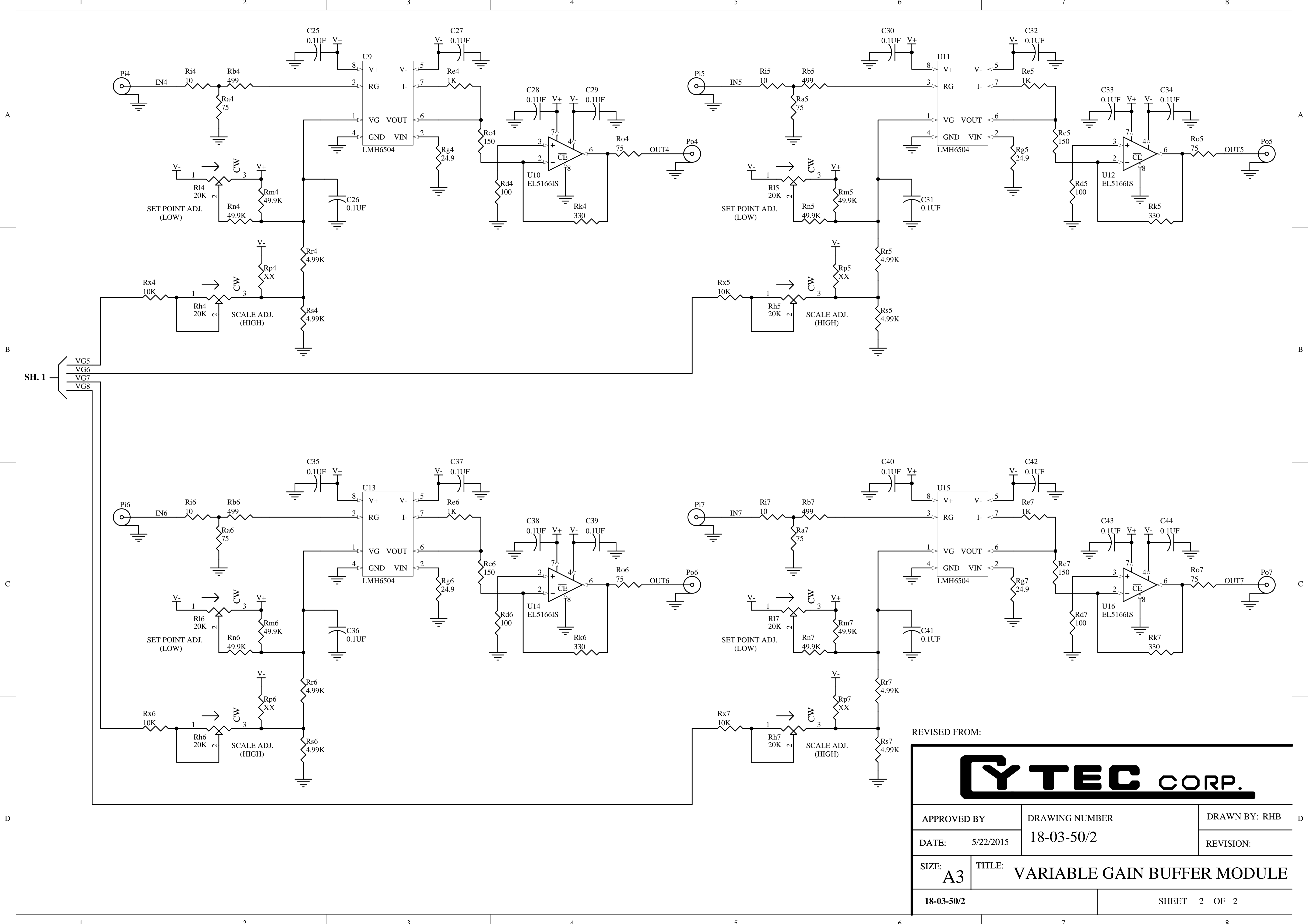
SH. 2

REVISED FROM:



APPROVED BY	DRAWING NUMBER	DRAWN BY: RHB
DATE: 5/22/2015	18-03-50/1	REVISION:
SIZE: A3	TITLE: VARIABLE GAIN BUFFER MODULE	
18-03-50/1	SHEET 1 OF 2	

NOTES:
1. UNLESS OTHERWISE SPECIFIED ALL RESISTORS ARE IN OHMS, 1/4W, 1%.



REVISED FROM:



APPROVED BY	DRAWING NUMBER	DRAWN BY: RHB
DATE: 5/22/2015	18-03-50/2	REVISION:
SIZE: A3	TITLE: VARIABLE GAIN BUFFER MODULE	
18-03-50/2	SHEET 2 OF 2	