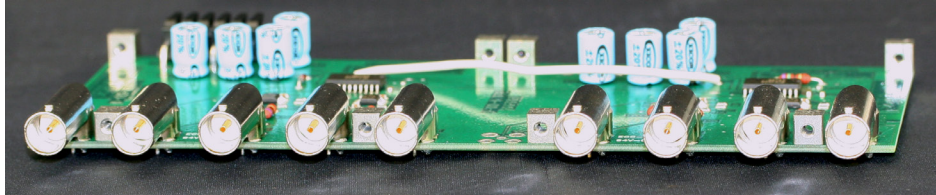




Programmable switching systems for automated test,
data acquisition and communications

2555 Baird Road, Penfield, New York 14526 • cytec-ate.com • (800)346-3117 • (585)381-4740

75 Ohm TTL Buffer Modules for signal distribution or amplification



1x8 75 ohm buffer amp module with BNC connectors

CXR/1xN-TTL-75-BNC Buffer Module Specifications (N = 4 or 8)

A schematic of the modules is shown in Drawing #17-80-52 on page 2.

The output buffers are capable of driving TTL levels into a 75 ohm load over 200 feet of typical 75 ohm coaxial cable. The output amps are short circuit protected by a 75 ohm load on the output.

Output Buffer Specifications:

	At BNC	After 200' Cable
TTL High	+ 4.8V*	+ 4.4V*
TTL Low	200 mV*	500 mV*
Maximum output current	133 mA	133 mA
Maximum output voltage	5.2 V*	5.2 V*
Maximum Output frequency	35 MHz (70 Mbps NRZ)	30 MHz (60 Mbps NRZ)
Rise time into 75 ohm load	2.65 nS	7.0 nS

* 75 Ohm load to ground.

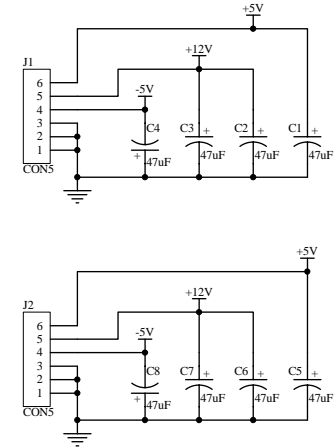
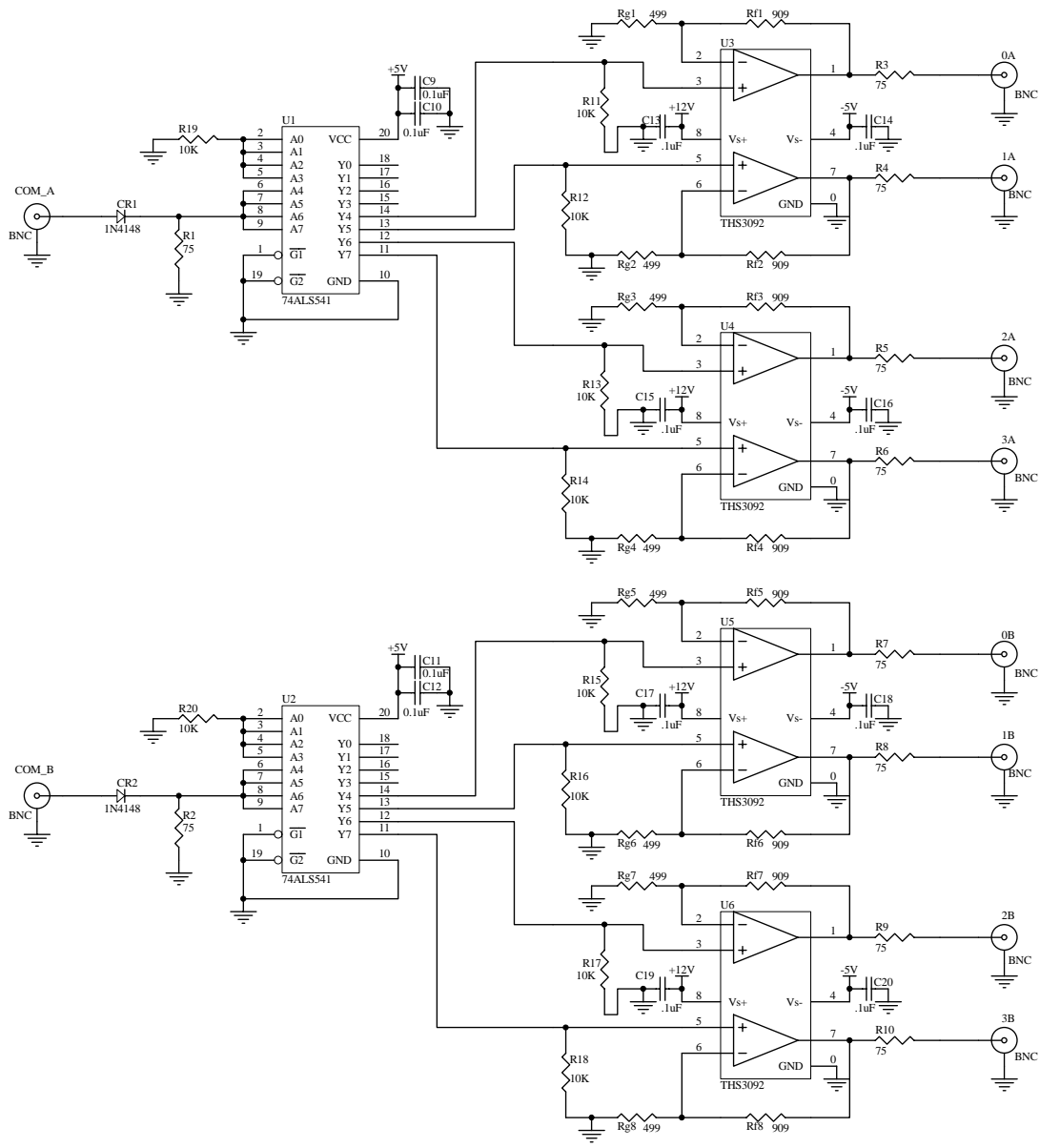
The 75 ohm input terminating resistors are rated to withstand +15 Volts as a maximum signal level.

Input buffer specs:

TTL Low	0.8 V Max
TTL High	2.0 V Min
Maximum Input without damage	+15 V not continuous for long duration. +8.5 V continuous long term. -15 V not continuous for long duration.

- Available as modules only, or in an aluminum chassis with AC input and power supplies.
- Available as 1x4, 1x8 or larger configurations. Gain can be changed for other applications.
- Commonly used in military communication applications.
- Custom systems with additional features available.

Contact Cytec at 1-800-346-3117
or sales@cytec-ate.com



YTEC CORP.

APPROVED BY	DRAWING NUMBER	DRAWN BY: KJA
DATE: 9-Jun-2009	17-80-52	REVISION:
SIZE: B	TITLE: Dual 1-To-4 TTL Buffer Mod. (Split PCB)	
17-80-52.sch		SHEET 1 OF 1